

K-801-R

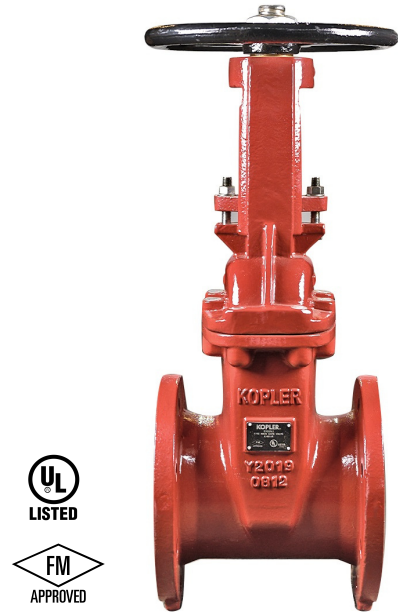
RESILIENT WEDGE GATE VALVE

Outside Screw & Yoke



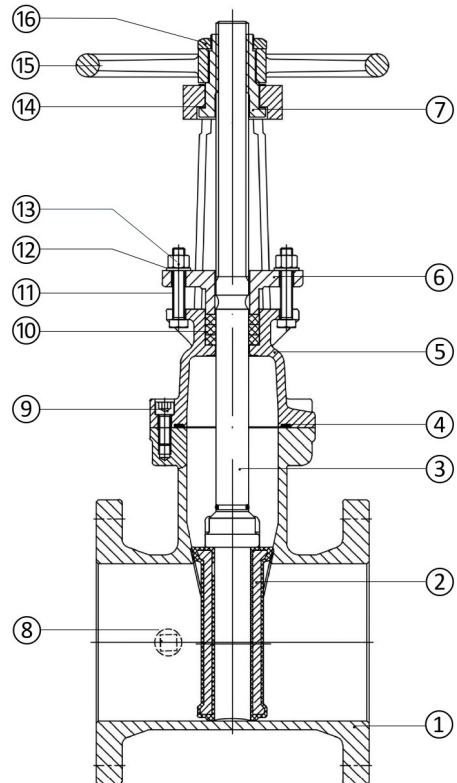
PRODUCT DESCRIPTION

General	Used for isolation purpose in Fire Sprinkler Systems Pipelines
Standard	Meets requirements of AWWA/ANSI C515
Size	2" to 12" [DN50 to DN300]
Pressure Rating	300 psi [20.7 Bar]
End Connection	Flange and Drilling comply with ASME B16.1 Class 125
Coating	Fusion Bonded Epoxy Coated comply with AWWA C550
Features	Bi-directional flow, Full Waterway
Approvals	UL Listed and FM Approved



MATERIAL SPECIFICATIONS

No.	Part Name	Material
1	Body	Ductile Iron A536 Grade 65-45-12
2	Wedge	Ductile Iron with EPDM Fully Encapsulated
3	Stem	Stainless Steel A276 Grade 304
4	Body/Bonnet Gasket	Rubber EPDM D2000
5	Bonnet	Ductile Iron A536 Grade 65-45-12
6	Gland	Ductile Iron A536 Grade 65-45-12
7	Stem Nut	Bronze B148 C95200
8	Plug	Malleable Iron A47 Grade 22010
9	Bolt	Stainless Steel F593 Grade 304
10	Packing	Graphite Non-Asbestos
11	Bolt	Stainless Steel F593 Grade 304
12	Washer	Stainless Steel A276 Grade 304
13	Nut	Stainless Steel F594 Grade 304
14	Washer	Brass B124 C37700
15	Handwheel	Ductile Iron A536 Grade 65-45-12
16	Handwheel Nut	Stainless Steel F594 Grade 304

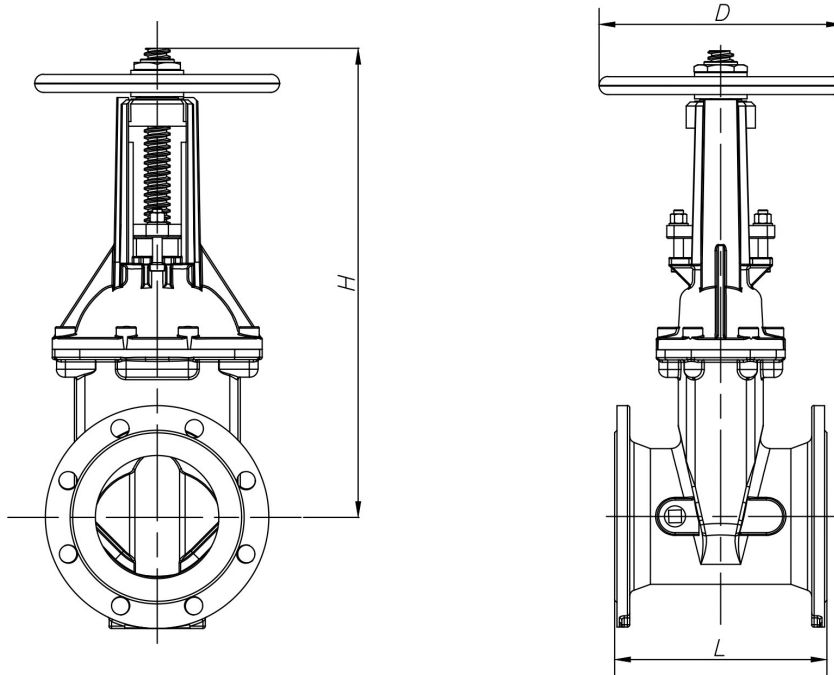


K-801-R**RESILIENT WEDGE GATE VALVE**

Outside Screw & Yoke

**DIMENSIONS**

Valve Size	H (Open)		L		D	
	in.	mm	in.	mm	in.	mm
2"	15.5	395	7.0	178	7.3	185
2½"	17.1	435	7.5	190	7.3	185
3"	19.9	505	8.0	203	10.0	254
4"	22.4	570	9.0	229	10.0	254
6"	30.1	765	10.5	267	12.0	305
8"	38	965	11.5	292	14.0	355
10"	45.3	1150	13.0	330	17.5	445
12"	52.8	1340	14.0	356	17.5	445

**WEIGHTS**

Valve Size	2"	2½"	3"	4"	6"	8"	10"	12"	
Weight	lb.	35	44	55	66	110	170	264	374
	kg	16	20	25	30	50	77	120	170