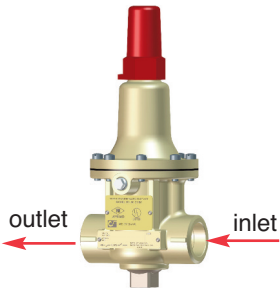




— MODEL — **55L-60**

# Pressure Relief Valve/ Pump Casing Relief Valve

**1/2" and 3/4"**  
**Globe**  
**Configuration**

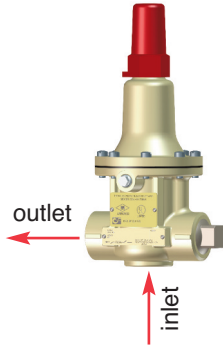


0-75 psi  
20-200 psi  
20-300 psi

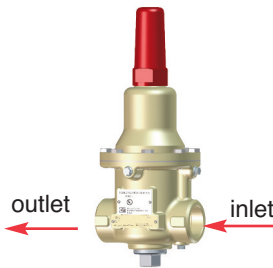


**100-300 psi**

**1/2", 3/4" and 1"**  
**Angle Configuration**



**1" Size**  
20-75 psi  
40-200 psi  
100-300 psi



more materials  
available

- Sizes 1/2" and 3/4" are UL Listed and FM Approved for use as Fire Pump Casing Relief Valves
- The 1" model is UL Listed for use as a Fire Pump Casing Relief Valve
- Direct Acting - Precise Pressure Control
- Drip Tight Closure
- No Packing Glands or Stuffing Boxes
- Globe or Angle configurations available
- Sensitive to Small Pressure Variations
- Meets low lead requirements
- Available in Cast Bronze, 316 Stainless Steel, Monel & Super Duplex Stainless Steel

The Cla-Val Model 55L-60 (UL Listed, FM Approved) Pressure Relief Valve is a direct-acting, spring loaded, diaphragm type relief valve. The valve may be installed in any position and will open and close within very close pressure limits. The bottom plug may be removed and installed in the inlet to convert it to an angle pattern flow path.

The Model 55L-60 is normally held closed by the force of the compression spring above the diaphragm. When the controlling pressure applied under the diaphragm exceeds the spring setting, the disc is lifted off its seat, permitting flow through the control. When control pressure drops below the spring setting, the spring forces the control back to its normally closed position. The controlling pressure is applied to the chamber beneath the diaphragm through an internal passage. A gauge port is provided for accurate pressure setting.

Pressure adjustment is done by turning the adjusting screw to vary the spring load on the diaphragm. The 55L-60 is available in pressure ranges suited to agency approval tests. To prevent tampering, the adjustment cap can be wire sealed by using the lock wire holes provided in the cap and cover.



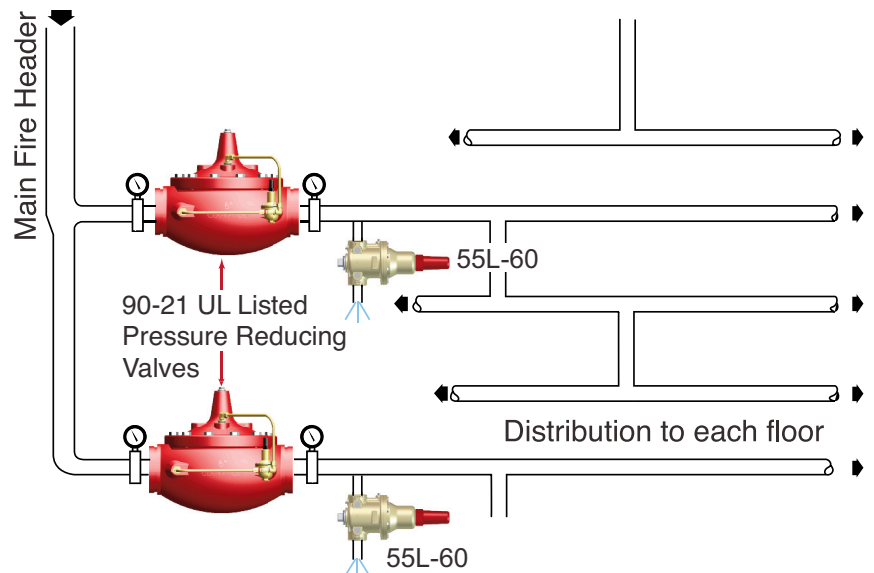
**Fire Protection System Service**

The **Model 55L-60** is typically used in a fire protection system to trim water pressure, thus preventing pressure build-up whenever line pressure exceeds the setting of the spring.

The 55L-60 will relieve excess pressure to atmosphere to prevent damage to the distribution network.

NOTE: Model 55L-60 is not suitable for discharging the full-rated pump capacity of a fire pump. See Model 50B-4KG1 Fire Pump Relief Valve for such applications.

**Typical Application for Fresh Water or Seawater Service**



## Specifications

<b>Size</b>	1/2", 3/4" and 1" Threaded NPT
<b>Temperature Range</b>	Water, Air: to 180°F Max.
<b>Materials</b>	
Body & Cover:	Cast Bronze UNS C87850 -Standard Stainless Steel ASTM A743-CF-16F Monel Super Duplex Stainless Steel
Trim:	303 Stainless Steel Monel
Rubber:	Buna-N® Synthetic Rubber
<b>Pressure Ratings</b>	Cast Bronze 400 psi Max. Stainless Steel 400 psi Max.
<b>Other Materials</b>	Available on special order

### Adjustment Ranges UL Listed

10 to 75 psi • 20 to 200 psi • 20 to 300 psi • 100 to 300 psi

### Adjustment Ranges FM Approved

0 to 75 psi • 20 to 200 psi • 20 to 300 psi • 100 to 300 psi

## Pressure Drop Chart (Full Open Valve)

Valve Size	C <sub>v</sub> Factor	Max Flow (GPM)
1/2"	6	25
3/4"	8.5	40
1"	12.8	65

## Standard Factory Set Points\* (1/2", 3/4", 1")

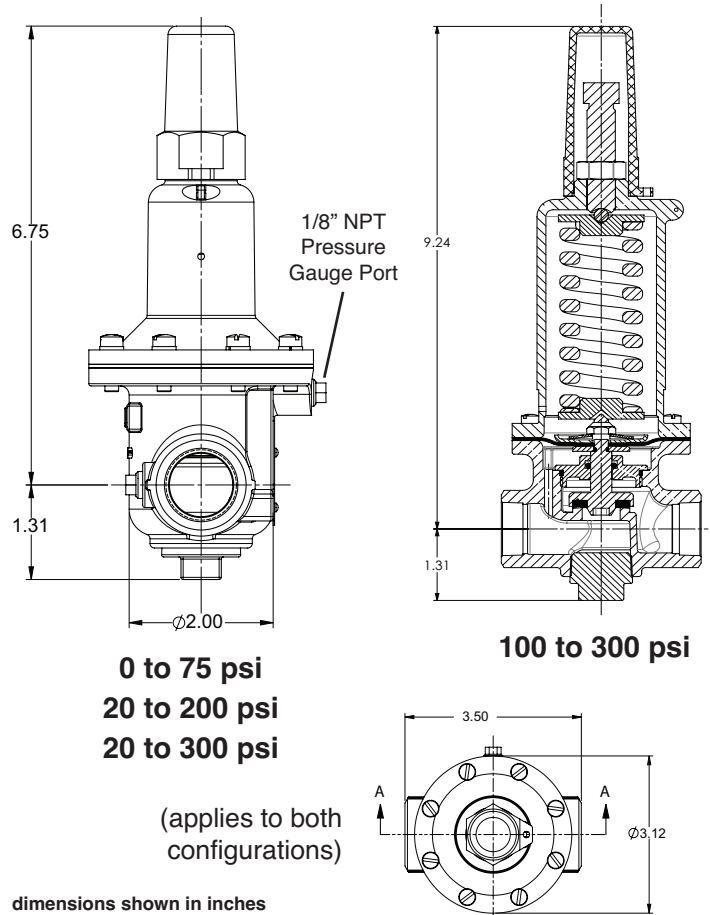
0 -75 psi	20 - 200 psi	20 - 300 psi	100 - 300 psi
50 psi	60 psi	60 psi	100 psi

\* Custom set points available upon request

## When Ordering, Please Specify

1. Catalog No. 55L-60
2. Valve Size
3. Adjustment Range Desired
4. Optional Materials

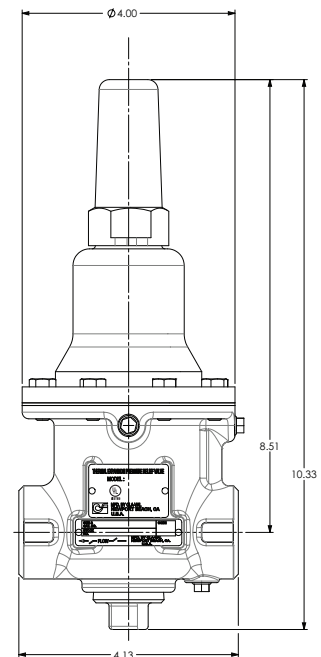
## Dimensions (1/2" and 3/4")



## Dimensions (1"):

### Spring Range:

20-75  
40-200  
100-300



E-55L-60 (R-03/2021)

## CLA-VAL

1701 Placentia Avenue • Costa Mesa CA 92627  
800-942-6326 • Web Site: [www.cla-val.com](http://www.cla-val.com) • E-mail: [info@cla-val.com](mailto:info@cla-val.com)

**CLA-VAL CANADA**  
4687 Christie Drive  
Beamsville, Ontario  
Canada L0R 1B4  
Phone: 905-563-4963  
[www.cla-val.com](http://www.cla-val.com)  
E-mail: [sales@cla-val.ca](mailto:sales@cla-val.ca)

**CLA-VAL EUROPE**  
Chemin des Mésanges 1  
CH-1032 Romanel/  
Lausanne, Switzerland  
Phone: 41-21-643-15-55  
[www.cla-val.ch](http://www.cla-val.ch)  
E-mail: [cla-val@cla-val.ch](mailto:cla-val@cla-val.ch)

**CLA-VAL UK**  
Dainton House, Goods Station Road  
Tunbridge Wells  
Kent TN1 2 DH England  
Phone: 44-1892-514-400  
[www.cla-val.ch](http://www.cla-val.ch)  
E-mail: [info@cla-val.ch](mailto:info@cla-val.ch)

**CLA-VAL FRANCE**  
Porte du Grand Lyon 1  
ZAC du Champ du Pérrier  
France - 01700 Neyron  
Phone: 33-4-72-25-92-93  
[www.cla-val.ch](http://www.cla-val.ch)  
E-mail: [cla-val@cla-val.ch](mailto:cla-val@cla-val.ch)

**CLA-VAL ASIA PACIFIC**  
45 Kennaway Road  
Woolston, Christchurch, 8023  
New Zealand  
Phone: 64-39644860  
[www.cla-valpacific.com](http://www.cla-valpacific.com)  
E-mail: [info@cla-valpacific.com](mailto:info@cla-valpacific.com)