

K-901-U Y-Strainer

2½" - 12" / DN65 - DN300



PRODUCT FEATURES

- Y-Strainers used to prevent clogging in automatic sprinkler systems and various spray systems.
- Connection Ends; ASME B16.1 Class 125 or EN1092-2 PN10/PN16.
- Pressure rating 175psi at 0°C to 120°C.
- NPT tapped blow-off connections are available on request.
- Extra-large capacity baskets equal very low pressure drop and long intervals between cleaning and servicing, essential in this service.
- UL Listed in accordance with UL subject 321 - Fireline strainers, extra-large baskets have a minimum open area ratio is 4 to 1.



MATERIAL SPECIFICATIONS

BODY

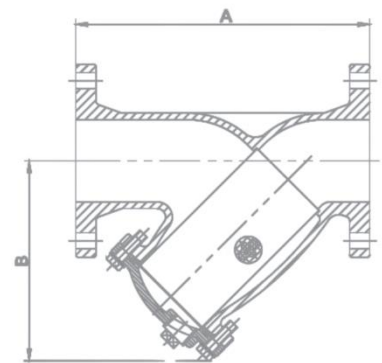
PART	MATERIAL
Body	Cast Iron ASTM A126 Grade B
Cover	Cast Iron ASTM A126 Grade B
Gasket	Graphite

SCREEN

SIZE	STANDARD (WATER)		
	MATERIAL	HOLE DIAMETER Inch/mm	FREE FLOW AREA OPENING
2½"	304SS	0.12/3.0	53.60%
3" to 5"	304SS	0.17/4.3	55.43%
6" to 10"	304SS	0.24/6.0	63.00%
12"	304SS	0.25/6.3	40.70%

DIMENSIONS

Size (inch/mm)	A		B		Plug Size (NPT Thread)
	mm	inch	mm	inch	
2½"/65mm	273	10.75	135	5.31	1"
3"/80mm	295	11.61	198	7.80	1"
4"/100mm	352	13.86	232	9.13	1"
5"/125mm	416	16.38	285	11.22	1½"
6"/150mm	470	18.50	305	12.00	1½"
8"/200mm	543	21.38	401	15.78	1½"
10"/250mm	660	26.00	473	18.62	2"
12"/300mm	770	30.31	554	21.81	2"



PRESSURE DROP

SIZE (inch)	2½"	3"	4"	5"	6"	8"	10"	12"
PRESSURE LOSS (psi)	8.30	12.20	7.20	5.60	7.30	4.66	5.40	8.10

WEIGHT

SIZE (inch)	2½"	3"	4"	5"	6"	8"	10"	12"
WEIGHT (kg)	14.00	17.30	32.00	47.50	62.50	107.50	175.00	253.00